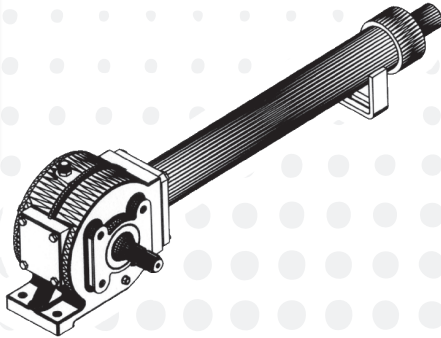
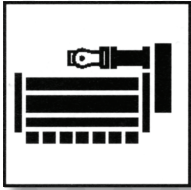




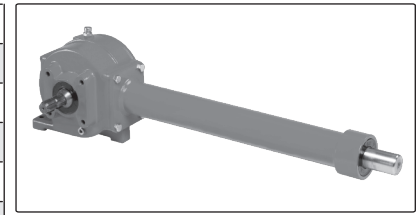
# 203011001

## STARGEAR BOXES

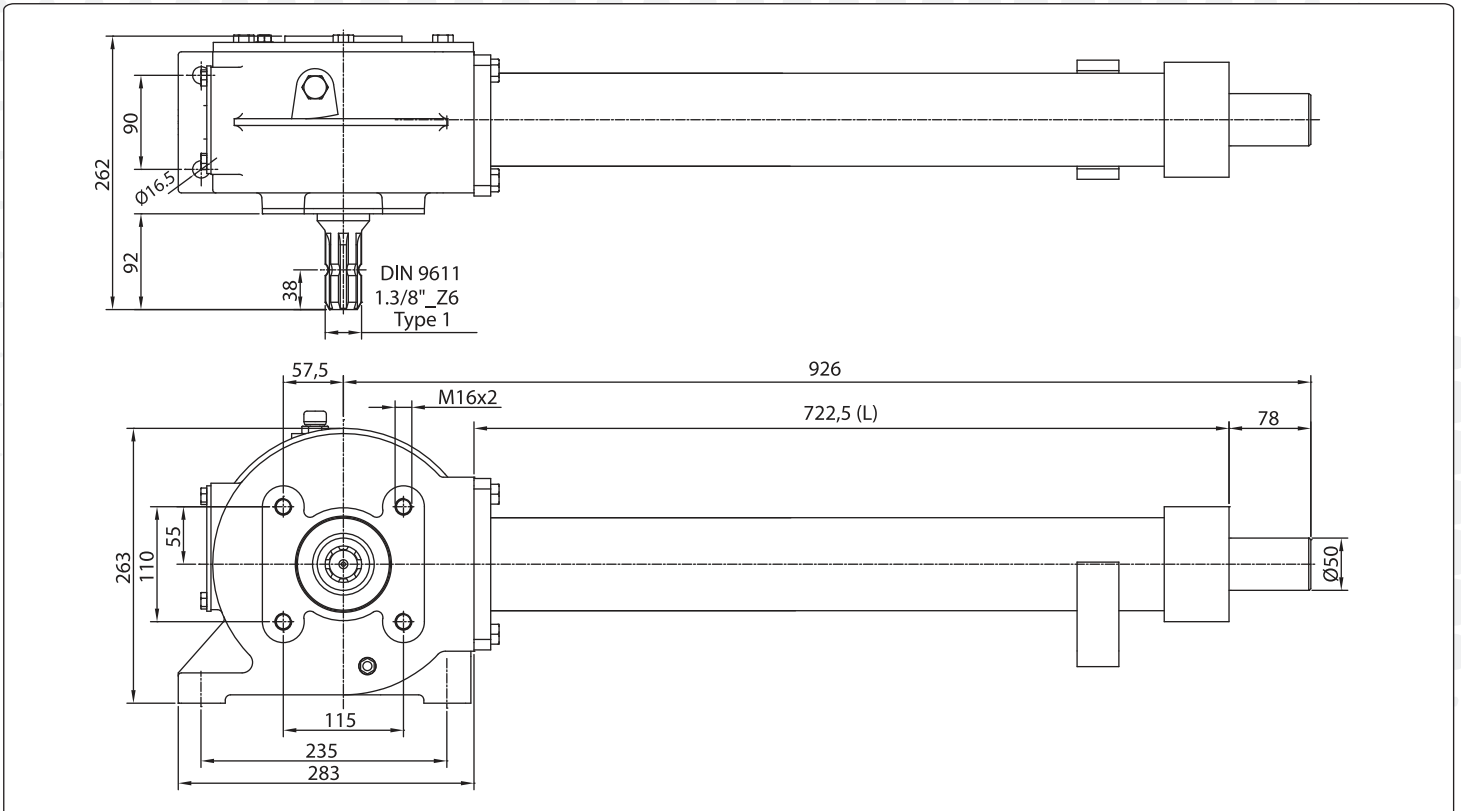
Gearboxes for Vertical Mulchers



Machine Model	Tube Length(L)mm
203011001	540 mm / 63 Kg
203012001	720 mm / 70 Kg
203013001	820 mm / 73 Kg
203014001	1080 mm / 79 Kg
203015001	1340 mm / 90 Kg
203016001	1160 mm / 86 Kg



	oil	SAE.140EP
--	-----	-----------



Transmission Ratio	Rated Input	Maximum Input Power		Rated Output Torque	Weight	Lubricant										
		HP	kW			Oil	Grease									
(i)	r.p.m			da Nm	Kg	Type □	□ Quantity Lt.									
1:3.0	540	60	44	...	...	SAE.140EP	...									
Gear Arrangement	Bevel Couplings					Cylindrical Couplings					Bearings					
	Helicoidal	Straight	Teeth Number				Module	Helicoidal	Straight	Teeth Number				Module	A	30210
Z1			Z2	Z3	Z4	Z1				Z2	Z3	Z4	M		B	...
			10	30	...	...	6,5			...	...	...	...	...	C	...
r.p.m															D	...
															E	...
															F	...
															G	...
															H	...
Components Material																
Covering	Shaft X	Shaft Z			Bevel Pinion	Gear Box (Housing)										
...	SAE 8620	SAE 1050			SAE 8620	GGG-40										

TÜRKAY reserves the right to make any change to this product without prior public announcement.